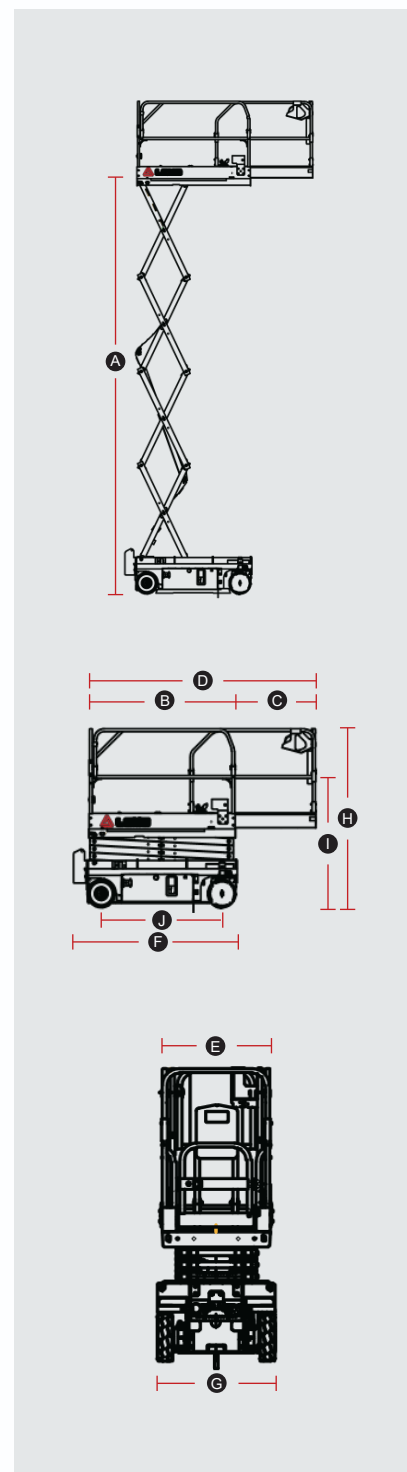


SCISSOR LIFT RANGE

SPECIFICATIONS

MODELS	S0607E-2	
Measurements	Metric	Imperial
Work Height Max.	7.8m	25'7"
A Platform Height-Raised	5.8m	19'
B Platform Length	1.64m	5'5"
C Extension Deck	0.9m	2'11"
D Platform Length With Extension Deck	2.54m	8'4"
E Platform Width	0.73m	2'5"
F Overall Length	1.84m	6'
G Overall Width	0.79m	2'7"
H Overall Height-Guardrails Up	2m	6'7"
I Overall Height-Guardrails Down	1.65m	5'5"
J Wheelbase	1.35m	4'5"
Ground Clearance(Stowed/Raised)	55/16mm	2.2"/ 0.6"
PRODUCTIVITY		
Max. Platform Occupants (in/out)	2 (in) / 1(out)	
Platform Capacity	230kg	507 lbs
Platform Capacity-Extension Deck	120kg	265 lbs
Drive Height	Full Height	
Gradeability-Stowed	25%	
Min. Turning Radius	1.95m	6'5"
Raise/Lower Speed	16s / 22s	
Brakes	Front-wheel Brake	
Drive Mode	4x2	
Tire Type	Solid Non-marking	
Tire Size	323x100mm	13"x4"
POWER		
Lead-acid Battery	24V(2×12V),102Ah	
HYDRAULIC SYSTEM		
Hydraulic Oil Capacity	8.5L	2.2gal
WEIGHT		
Machine Weight	1,550kg	3,417 lbs



Please contact LGMG or a local dealer for more details.

LGMG reserves the right to change technical data without prior notice. All photos and pictures in this brochure are for promotional purposes only.